



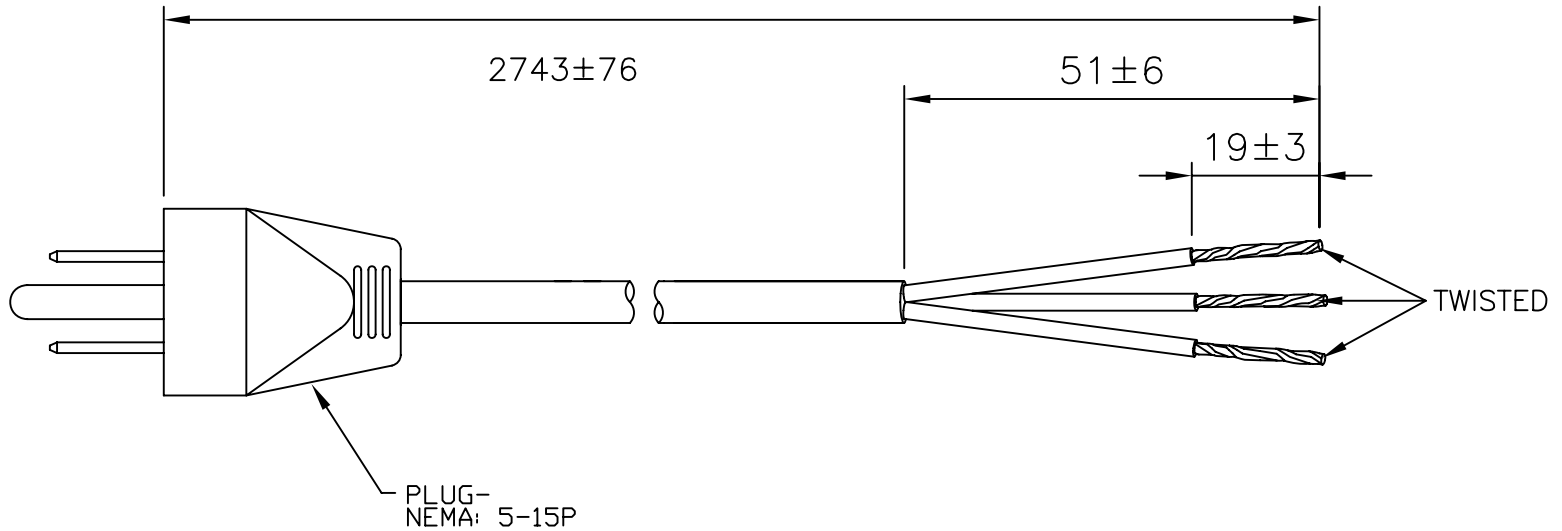
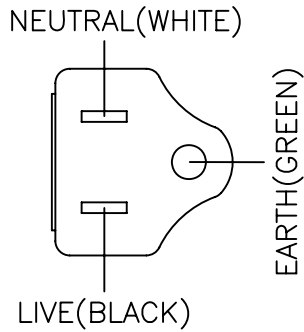
VOLEX

GROUP

## Standard Cord Details: 17629 10 B1



Specifications	
<b>Certifications</b>	
<b>Part Number</b>	17629 10 B1
<b>Connector Type</b>	none
<b>Plug Type</b>	5-15P
<b>Category</b>	Rubber
<b>Application</b>	Non-Detachable
<b>Plug Catalog No.</b>	
<b>Connector Catalog No.</b>	
<b>Cable</b>	SJ AWG 14x3
<b>Jacket Color</b>	black
<b>Length in Feet</b>	9'
<b>Length in Meters</b>	2.74
<b>Temperature Rating</b>	60 C
<b>Packaging Units Per Carton</b>	B-10,S-5
<b>Color Coding</b>	North America
<b>Nominal OD in Inches</b>	0.38
<b>Nominal OD in Millimeters</b>	9.65
<b>Notes</b>	See 17635 for 15ft version.



VOLEX RESERVES THE RIGHT TO ALTER NON-CRITICAL DIMENSIONS WITHOUT NOTICE.

PACKAGING: BULK (NO HANK OR COIL)

**NOTES:**

- 1) CORDAGE: 14/3 SJ, 60°C OR 90°C, BLACK
- 2) APPROVALS:
- 3) RATING: 15 AMP/125 VOLTS
- 4) FLAME RATING : FT2
- 5) PACKAGING: 40 PIECES/CARTON
- 6) ALL DIMENSIONS IN MILLIMETERS.

REV	DESCRIPTION	DATE
2	REVISED AND REDRAWN; CARTON QTY CHANGE	10/29/07
1	C.U.D - NEW RELEASE	04/13/06



FORM IN71-07 REV.A

- Indianapolis, IN
- Conover, N.C.
- Freemont, CA
- Aguascalientes, MX
- Tijuana, Mexico
- Hermosillo, MX
- Clinton, AR
- Kanata, Canada

**Proprietary Notice:**

This document is the property of Volex Incorporated. The information contained herein is not to be disclosed to anyone without the express written consent of Volex Inc.

**MATERIAL:**  
PLUG: PVC, BLACK  
JACKET: RUBBER, BLACK

**FINISH:**  
JACKET: SMOOTH

**SCALE:**  
NOT TO SCALE

**ECD:**  
N/A

**ITEM DESCRIPTION**  
CORDSET - NORTH AMERICAN  
POWER SUPPLY CORD (9')

**TOLERANCE UNLESS OTHERWISE SPECIFIED**  
.XXX ± .005  
.XX ± .02  
.X ± .03  
FRACT. ± 1/32  
ANGULAR ± 1/2°

<b>APPROVED</b> STC	<b>DRAWN BY</b> STC	<b>DATE:</b> 04/13/06
------------------------	------------------------	--------------------------

**PART NO.**  
17629 10 B1